

GEZE PERLAN 140 Sliding door set

The glass multi-talent



Exemplary accessories
from the GEZE sliding door range:



Rod handle



Handle recess

A slim profile with a wide range of options. PERLAN 140 offers two styles when used with glass doors – conservative and straight-forward in conjunction with glass clamping plates or elegant and minimalist with the point-fixed all glass design fitting GGS made of high-quality stainless steel. Both can be used as ceiling or wall mounted versions. On the wall, the rail blends optically into the new profile with the concealed wall bracket.

The SoftStop draw-in damping combines or convenience and safety. At about twenty centimetres before the end of the slide guide, the regulated closing movement brakes the door gently.

The sliding door leaves are automatically and silently guided into the end position. This protects the fitting from jolts and lengthens the lifetime of the sliding door. This also means that the "soft stopper" is family friendly. Playing children tend to slam doors when they get excited, but with this system that won't happen. Unpleasant closing noises are a thing of the past. The SoftStop also reduces the risk of trapped fingers to a minimum.

The KS version of the PERLAN 140 enables the use of glass sliding doors in areas with permanent high humidity or an aggressive atmosphere. PERLAN 140 corresponds to corrosion class 4 in accordance with DIN EN 1670 and is thus also suitable for use in swimming baths.

GEZE PERLAN 140 Sliding door set

Alongside Perlan 140, the multi-talent amongst the sliding doors, GEZE also offers a entire range of high-quality system solutions for sliding concepts:

► ROLLAN 40/80

The quiet roller sliding system for sliding concepts in small spaces is designed for single and multi-leaf door systems with sliding elements of 40 to 80 kg.

► LEVOLAN

The sliding door system with the invisible glass clamping system can carry all glass doors with a weight of up to 150 kg without additional gluing.

► AEROLAN

The elegant stainless steel design fitting for wall and ceiling installation enables flexible use. Whether it be wooden or glass, frame or skirting boards, the Aerolan set fits all sliding doors and elements up to 105 kg.

► GEOLAN

Geolan is the ideal solution for lightweight construction walls and suspended ceilings. The elegant stainless design fitting with freely visible rollers rides on a floor mounted rail and enables the use of heavy sliding doors with a weigh of up to 135 kg in lightweight constructions.

► VETROSLIDE

The Vetroslide all glass sliding door system offers maximum transparency. The previously used guide rails are now replaced by a point-fixed glass fin and the fittings are reduced to a minimum. Each system is tailored to meet the individual requirements of the user. Vetroslide is suitable for sliding leaves with a weight of up to 80 kg.



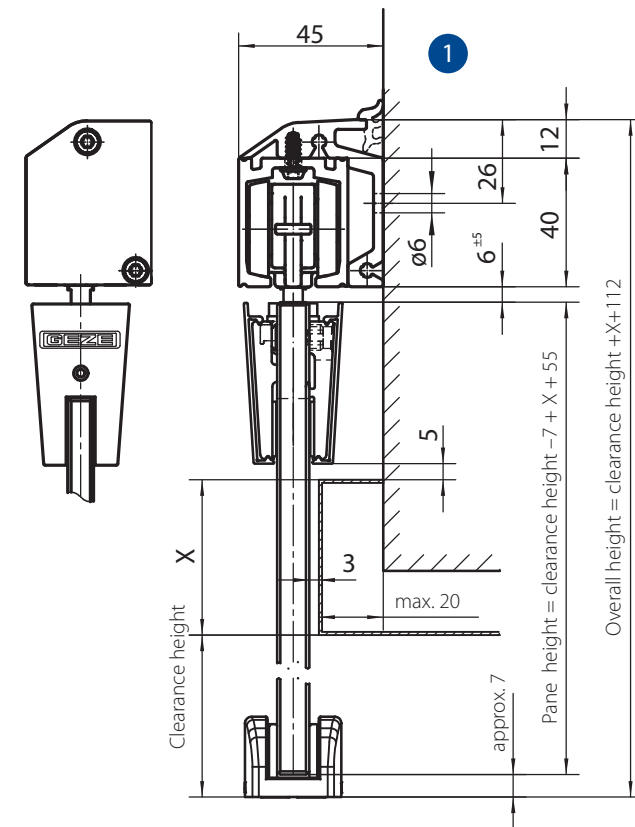
THE SLIDING DOOR MULTI-TALENT PERLAN 140 SLIDING DOOR SET

for wood and glass

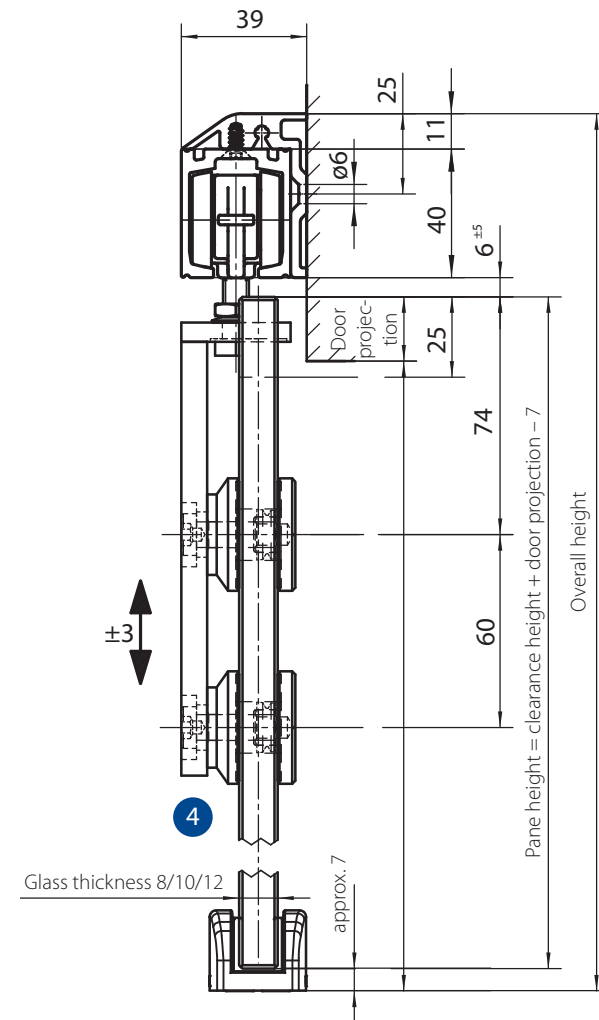
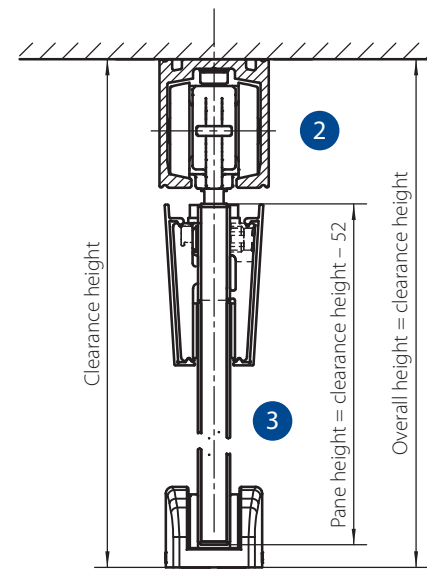
GEZE GmbH

Reinhold-Vöster-Straße 21-29
71229 Leonberg
Deutschland
Telefon: +49 (0) 7152-203-0
Telefax: +49 (0) 7152-203-310
Email: vertrieb.services.de@geze.com
www.geze.com

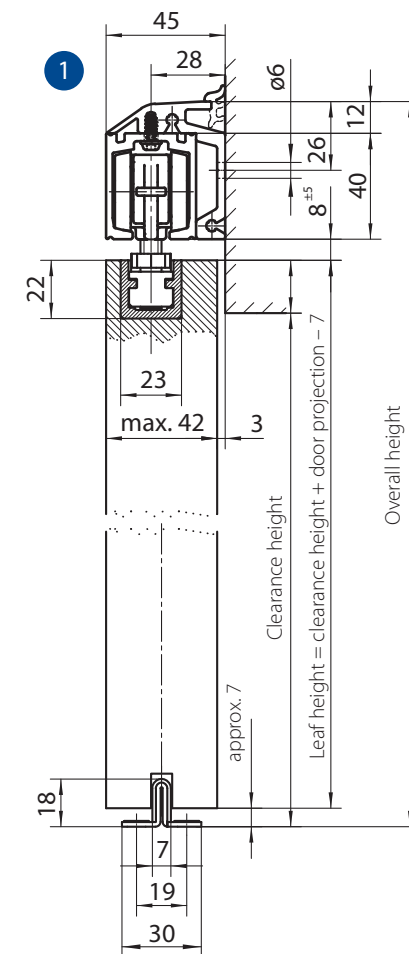
Perlan 140 sliding door set – The glass multi-talent



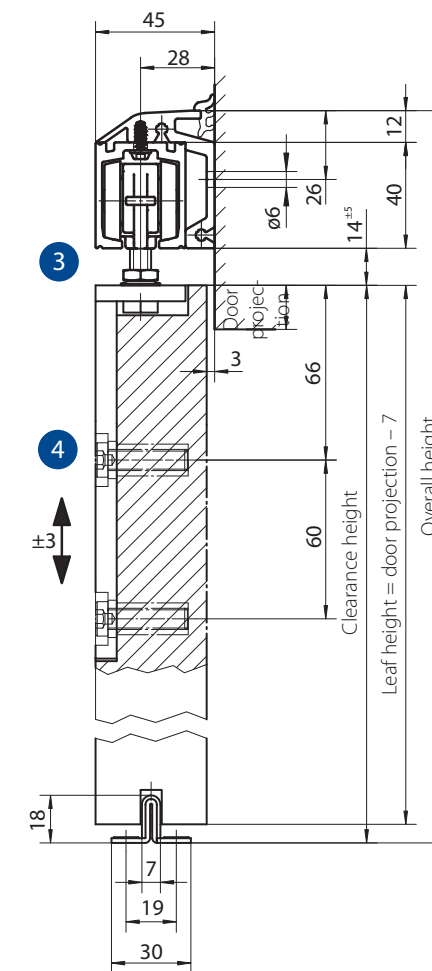
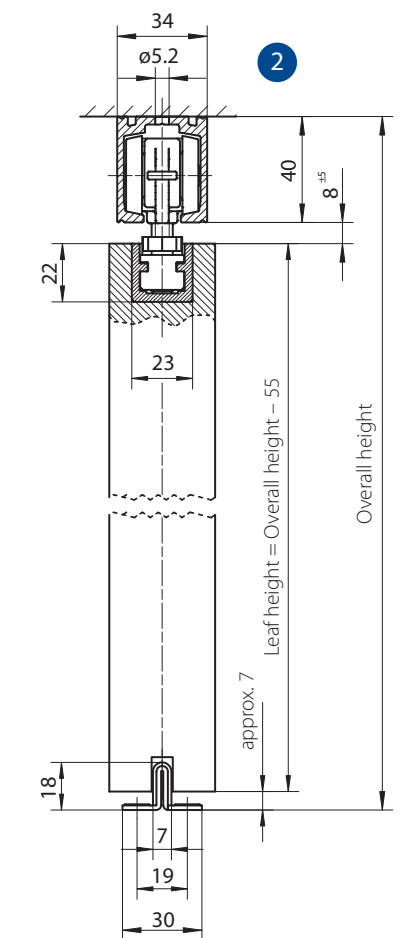
- 1 When using the concealed wall bracket for wood, glass doors can be guided past frames (maximum of 20 mm) without additional lining.
- 2 Despite the small dimensions the system can carry and move door weights of up to 140 kg.
- 3 The unique technology enables the clamping plate to hold glass thicknesses of 8 to 12 mm.
- 4 The GGS holder ensures a maximum of transparency for PERLAN sliding doors.



Perlan 140 sliding door set – The multi-talent for wood



- 1 The concealed wall bracket wood can take doors with up to 42 mm in width.
- 2 The concealed carrier plate means that the wooden leaf is held invisibly.
- 3 The GGS holder can be fitted into the wooden door. Thus enabling implementation of larger door leaf thicknesses.
- 4 The screws in the door leaf are accommodated by RAMPA sleeves.



GEZE PERLAN 140
Sliding door set

The multi-talent for wood



When it comes to wooden doors, GEZE has a long tradition and 100 years of experience to rely on. The PERLAN 140 roller sliding fitting is ideally suited for wooden doors in various versions and leaf weights of up to 140 kg.

Simple to mount and quick to adjust are the core arguments for craftsmen and processors. GEZE took these aspects into the development of PERLAN 140. Architects value the elegant, understated design that supports any desired spatial effect.

Whether ceiling or wall mounted, as practical DuoSync version that moves dual leaf sliding door systems synchronously, or as the corrosion protected KS version - PERLAN 140 offers a wide range of applications. The GGS holder as design fitting and the equally trendy version with the SoftStop draw-in damping to prevent clamping round out the PERLAN 140 range.

The KS version can be used as wet room sliding door as well as a sliding shutter for external shading. For use in shading systems, the wide range of accessories offers an automatic drive.